

Domed plates for Omega-Bolt®

Product code: E-OBDP

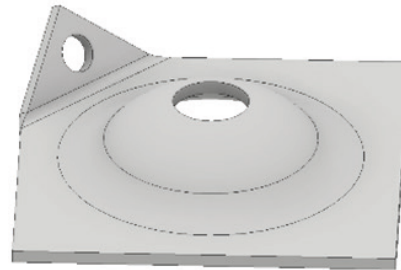
Category: Friction bolts / Accessories / Plates

Introduction

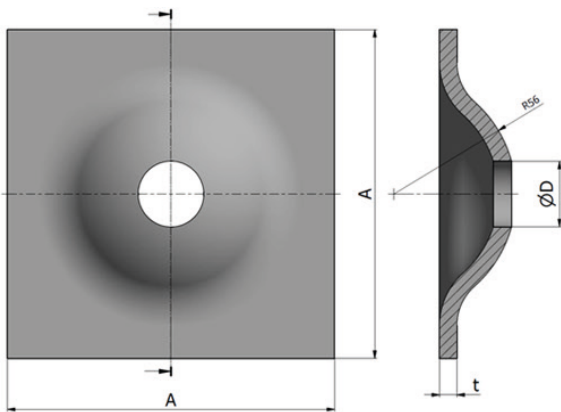
Face plates play a crucial role in rock reinforcement by evenly distributing load to prevent rock falls. Designed for compatibility with Omega-Bolts® and other rock bolts, these face plates eliminate the need for a spherical seat washer. Manufactured from S235JR steel as standard, with S355 and other grades available on request, they offer durability and reliability.

Key features

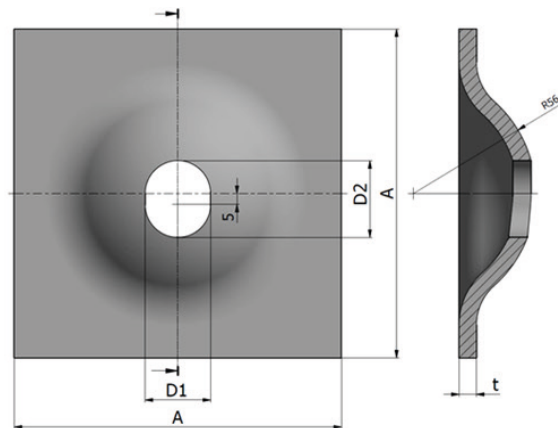
- Available with round or oval holes to compensate for angular misalignments and ensure a secure fit
- Custom dimensions available, including options with bent corners for accessory attachment
- Corrosion protection available with zinc coating, epoxy coating, or custom options safety.



- Oval central hole, ideal in case of irregular rock surface
- Enhanced possibility to compensate misalignment between face plate and bolt
- Only for manual installation



- Round central hole for maximum load transfer
- Ideal for mechanized bolt installation



- Oval central hole, ideal in case of irregular rock surface
- Enhanced possibility to compensate misalignment between face plate and bolt
- Only for manual installation

Selection guide

OMEGA-BOLT® 120

OMEGA-BOLT® 160-200-240

Size	Thickness	Hole	Code	Hole	Code	B.Corner
150x150	4	30	DPOB12-15-4-C	40	DPOB24-15-4-C	+B
		30x39	DPOB12-15-4-C	40x50	DPOB24-15-4-O	+B
	5	30	DPOB12-15-5-C	40*	DPOB24-15-5-C	+B
		30x39	DPOB12-15-5-O	40x50*	DPOB24-15-5-O	+B
	6	30	DPOB12-15-6-C	40	DPOB24-15-6-C	+B
		30x39	DPOB12-15-6-O	40x50	DPOB24-15-6-O	+B
	8	30	DPOB12-15-8-C	40	DPOB24-15-8-C	+B
		30x39	DPOB12-15-8-O	40x50	DPOB24-15-8-O	+B
	10	30	DPOB12-15-10-C	40	DPOB24-15-10-C	+B
		30x39	DPOB12-15-10-O	40x50	DPOB24-15-10-O	+B
200x200	6	30	DPOB12-20-6-C	40	DPOB24-20-6-C	+B
		30x39	DPOB12-20-6-O	40x50	DPOB24-20-6-O	+B
	8	30	DPOB12-20-8-C	40	DPOB24-20-8-C	+B
		30x39	DPOB12-20-8-O	40x50	DPOB24-20-8-O	+B
	10	30	DPOB12-20-10-C	40	DPOB24-20-10-C	-
		30x39	DPOB12-20-10-O	40x50	DPOB24-20-10-O	-
	12	30	DPOB12-20-12-C	40	DPOB24-20-12-C	-
		30x39	DPOB12-20-12-O	40x50	DPOB24-20-12-O	-

*Products available but not standard. Other dimensions upon request

Legal disclaimer

All dimensions, weights, quantities, and specifications are those applicable at the time of this publication and may be amended from time to time. Please contact your local representative for final confirmation of any key specifications.